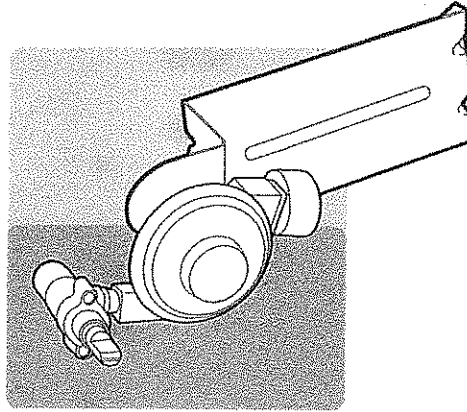


VALVE / REGULATOR BRACKET ASSEMBLY REPLACEMENT INSTRUCTIONS

⚠ **WARNING:** BEFORE PERFORMING ANY WORK, MAKE SURE THAT THE GAS SUPPLY IS TURNED OFF AT THE SOURCE. FAILURE TO FOLLOW DANGERS, WARNINGS, AND CAUTIONS CONTAINED IN THIS INSTRUCTION SHEET MAY CAUSE A FIRE OR AN EXPLOSION RESULTING IN SERIOUS PERSONAL INJURY OR DEATH AS WELL AS DAMAGE TO PROPERTY.



⚠ **CAUTION:** MAKE SURE GRILL IS OFF AND COOL BEFORE BEGINNING ANY REPAIR.

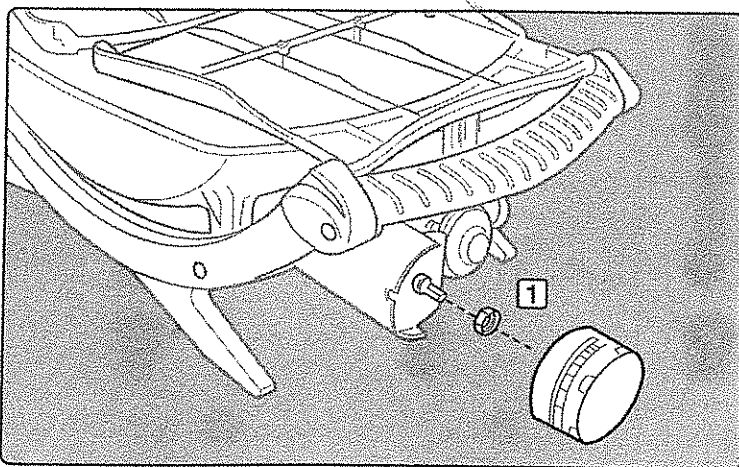
1

HEX NUT REMOVAL

TOOLS NEEDED:

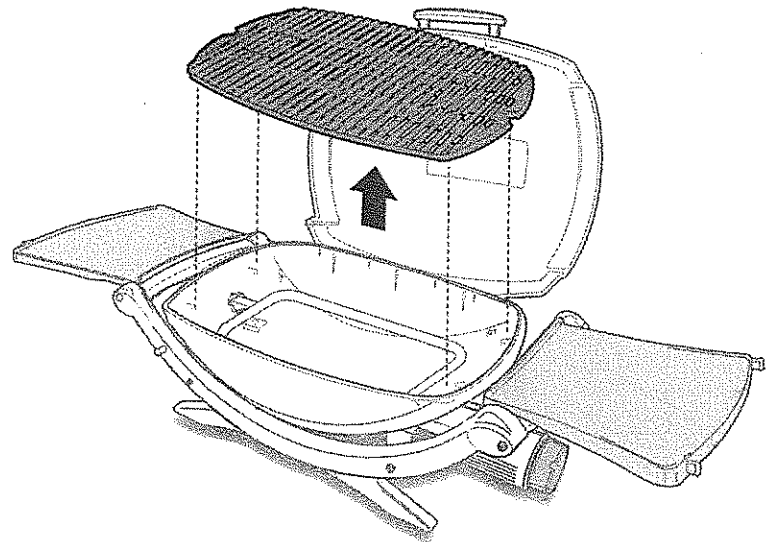


- A) Pull control knob off valve stem.
- B) Using an 11/16" wrench or pliers, remove brass hex nut from valve stem (1).



2

GRATE REMOVAL

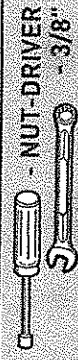


NOTE: Grills illustrated may have slight differences than model purchased.

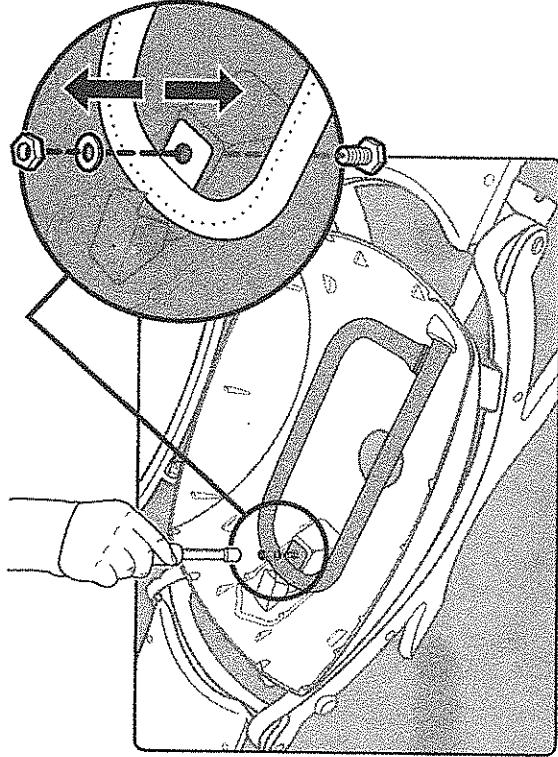
3

BURNER TUBE REMOVAL

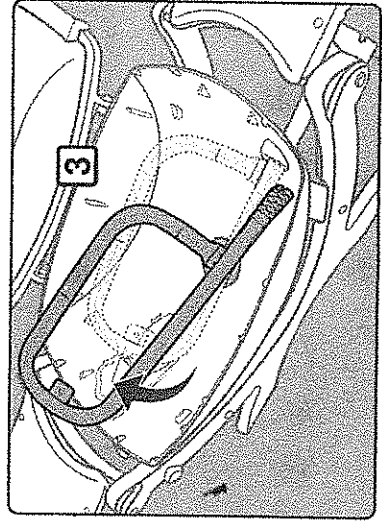
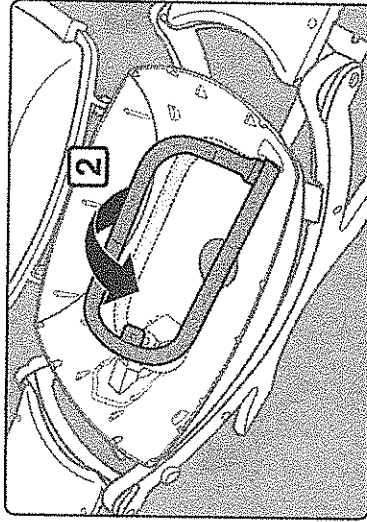
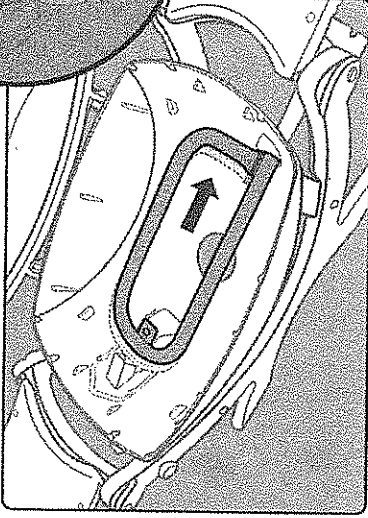
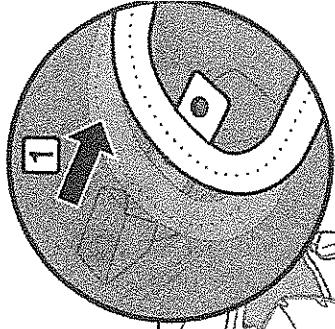
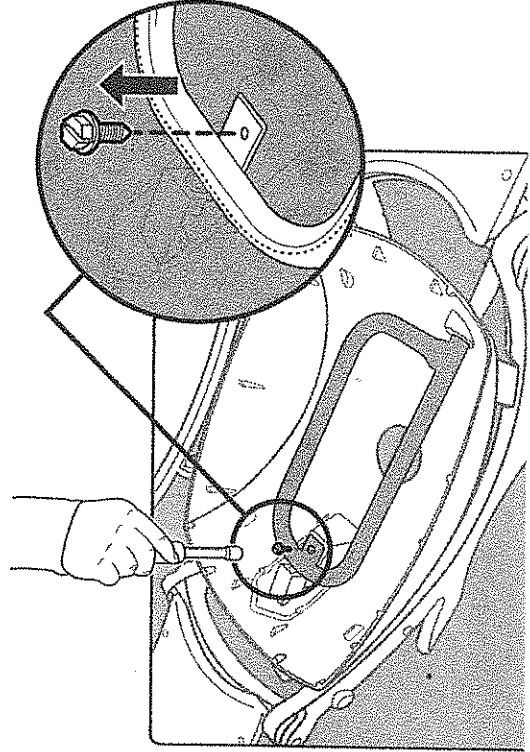
TOOLS NEEDED:



EARLIER STYLE:



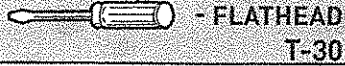
LATER STYLE:



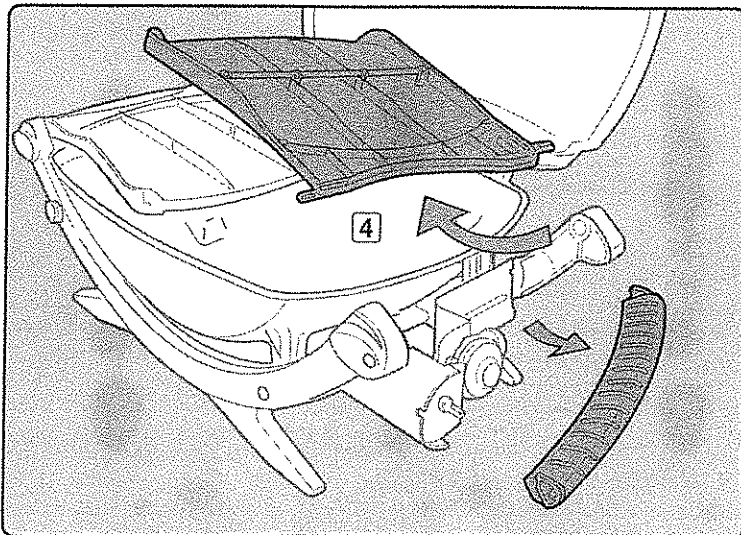
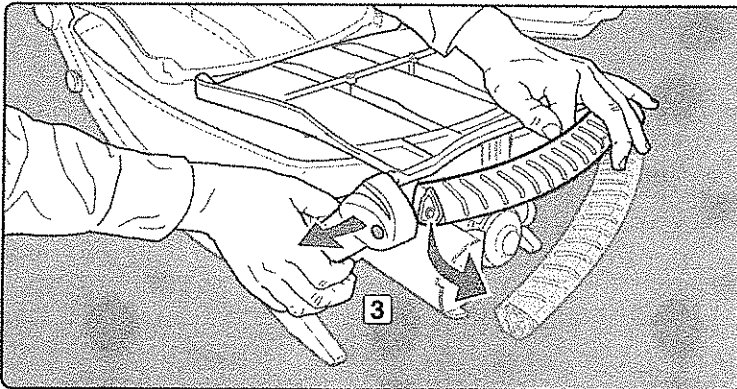
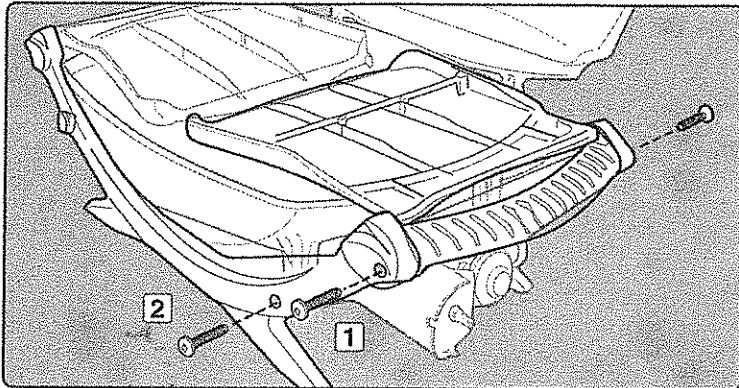
4

HANDLE AND TABLE REMOVAL

TOOLS NEEDED:



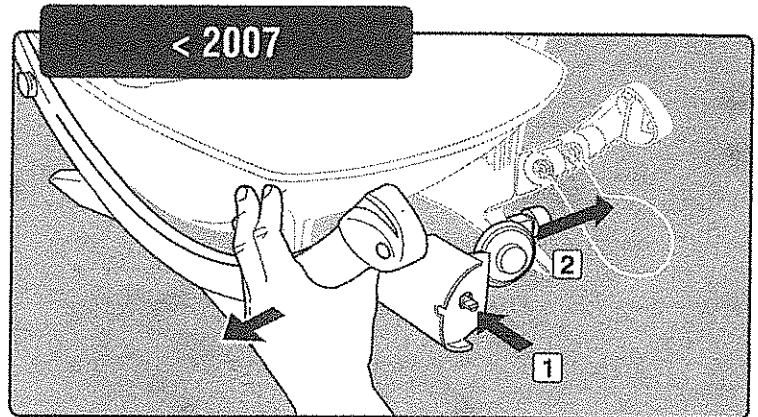
- A) Using a flathead screwdriver or a Torx driver, remove screws that secure right handle to cradle assembly (1).
- B) Remove screw that secures right side of front cradle to cookbox assembly (2).
- C) *OPEN LID.* Carefully separate front cradle and handle (3).
DISASSEMBLY NOTE: Pull front cradle away from handle, allowing room for handle to slide out of frame assembly (3).
- D) Remove table and handle from frame assembly (4).



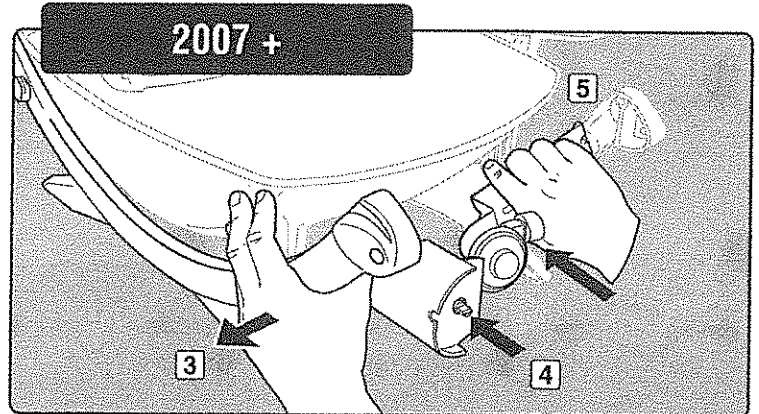
5

VALVE AND REGULATOR ASSEMBLY REMOVAL

- A) Pull valve stem out of control bracket (1).
- B) Remove valve and regulator assembly (2).



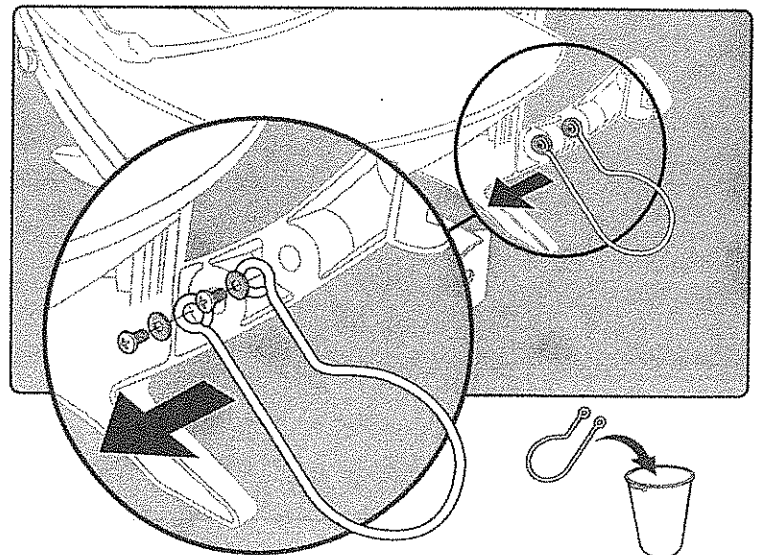
- C) Spread front and rear cradle apart (3). While cradles are spread, pull valve stem out of control bracket (4). Remove valve and regulator assembly from rear cradle (5).



6

HOSE BRACKET / GAS CARTRIDGE SUPPORT BASKET REMOVAL

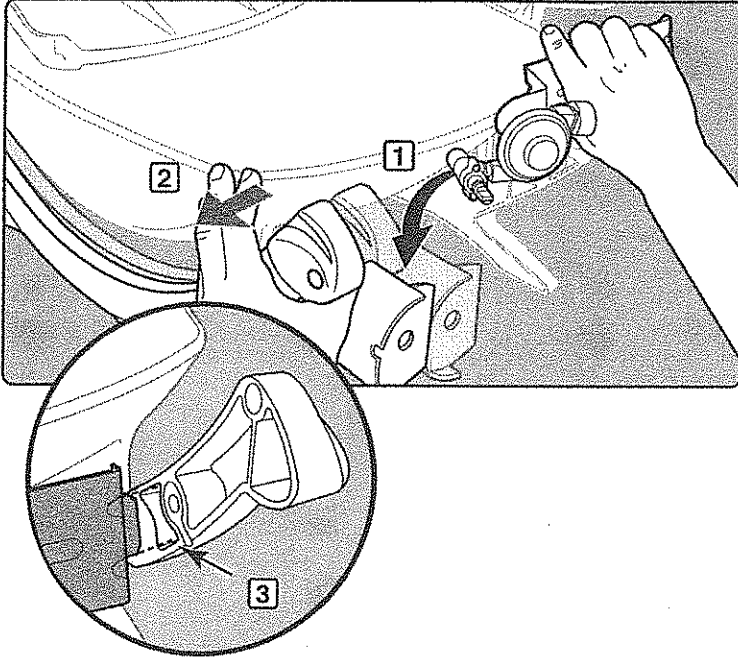
TOOLS NEEDED:



REASSEMBLY INSTRUCTIONS

7 VALVE AND REGULATOR ASSEMBLY INSTALLATION

- A) Install valve stem into control bracket (1).
- B) While spreading front and rear cradle apart (2), insert valve and regulator assembly into notch of rear cradle (3).

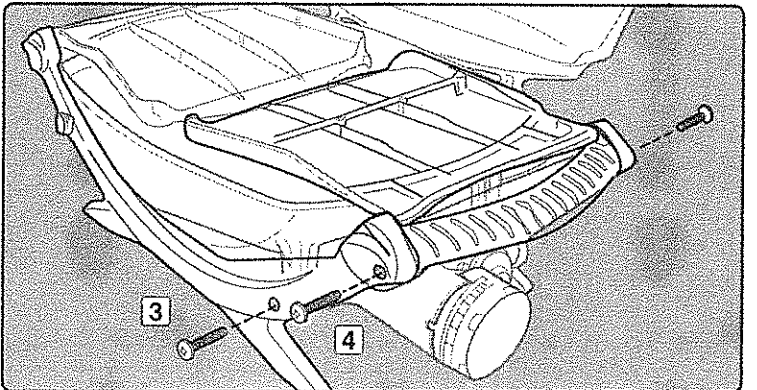
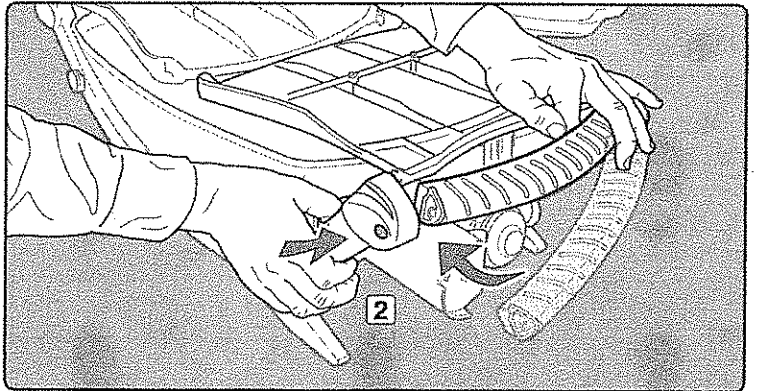
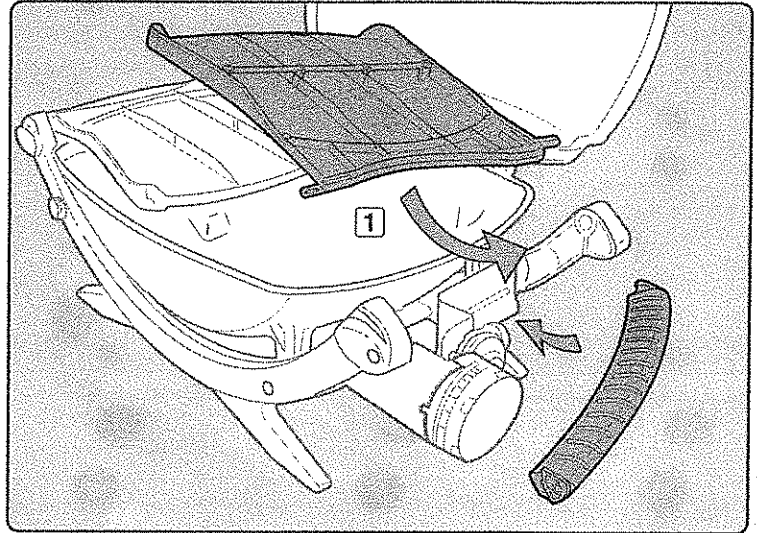


9 HANDLE AND TABLE REINSTALLATION

TOOLS NEEDED:



- A) Carefully separate front and rear cradle (1) and install table and handle into grill assembly (2).
- B) Using a flathead screwdriver or a Torx driver, install screw that secures right side of front cradle to cookbox assembly (3).
- C) Install screws that secure handle to front and rear cradles (4).

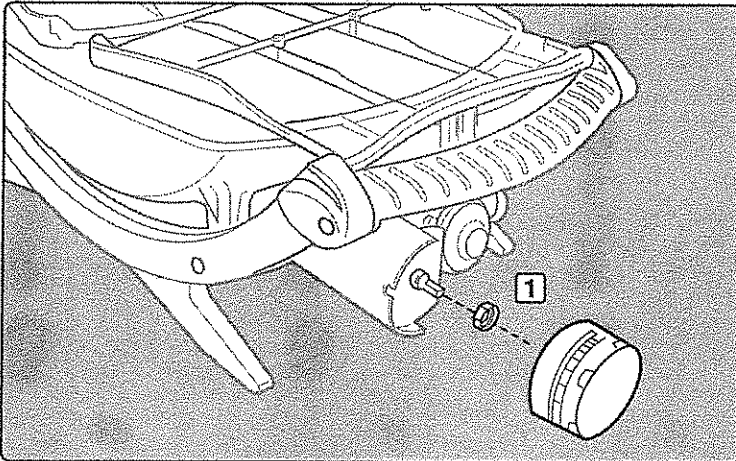


8 HEX NUT INSTALLATION

TOOLS NEEDED:

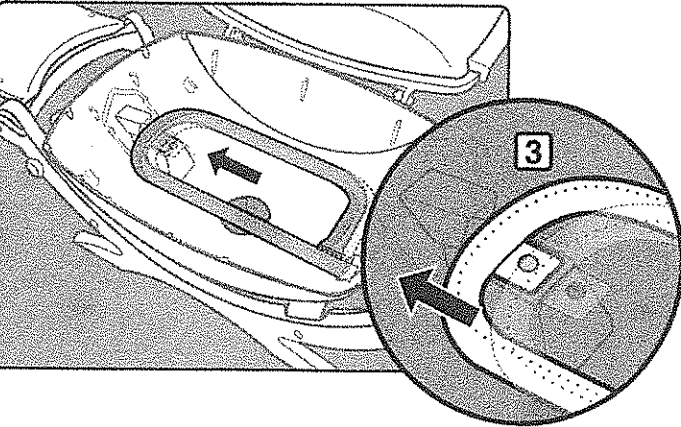
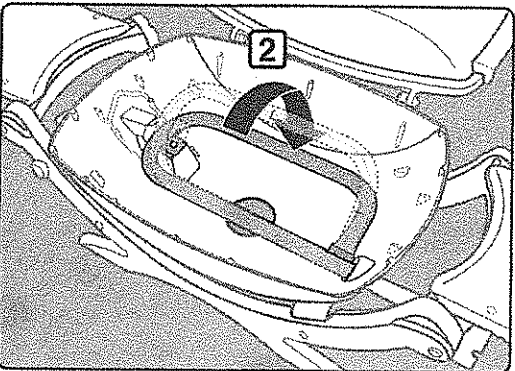
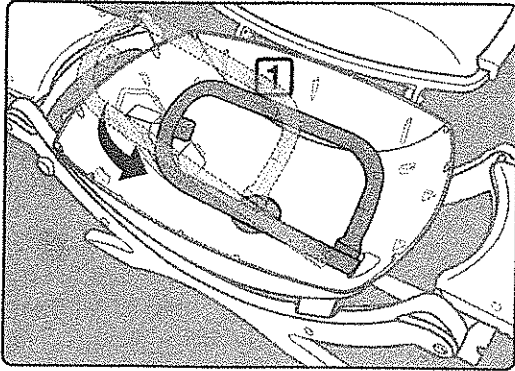
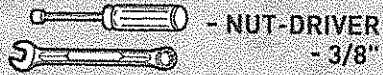


- A) Using an 11/16" wrench or pliers, install brass hex nut onto valve stem (1).
- B) Install control knob onto valve stem.

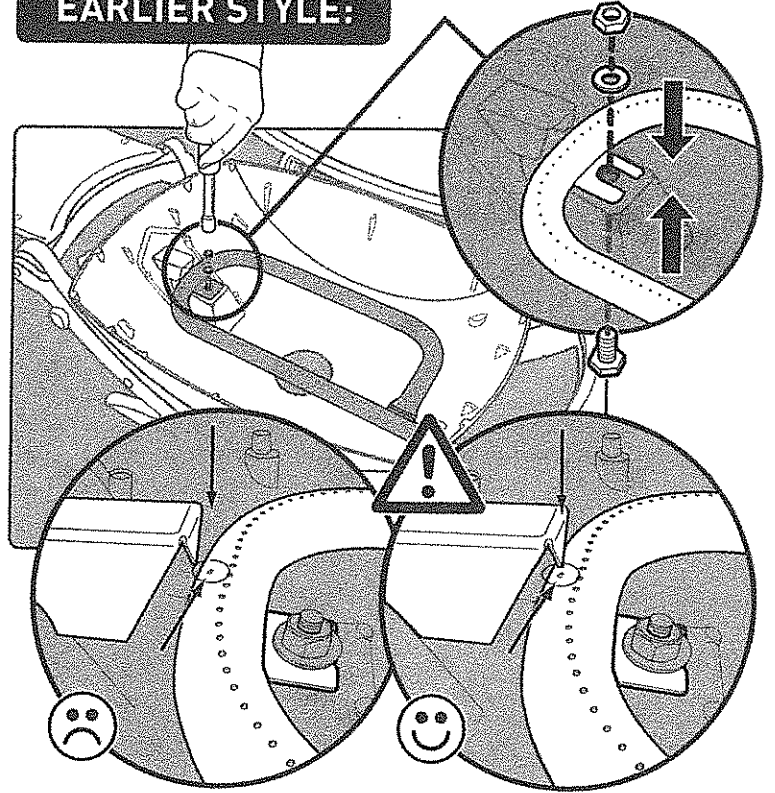


BURNER TUBE REINSTALLATION

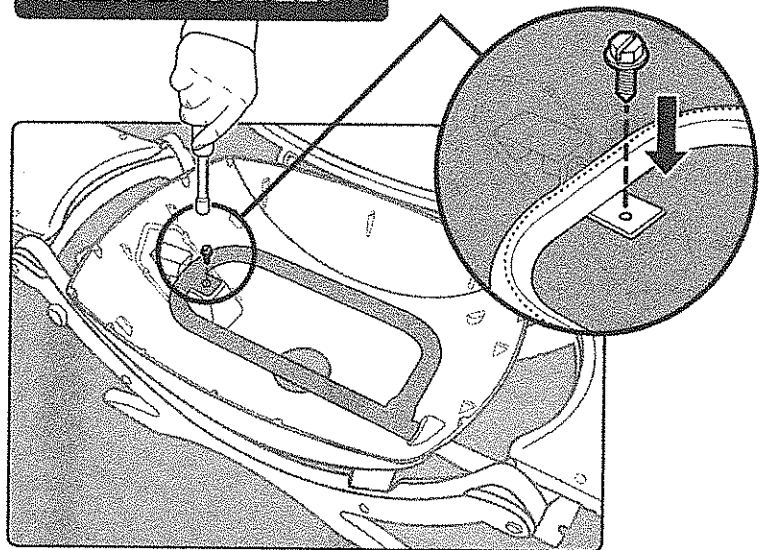
TOOLS NEEDED:



EARLIER STYLE:

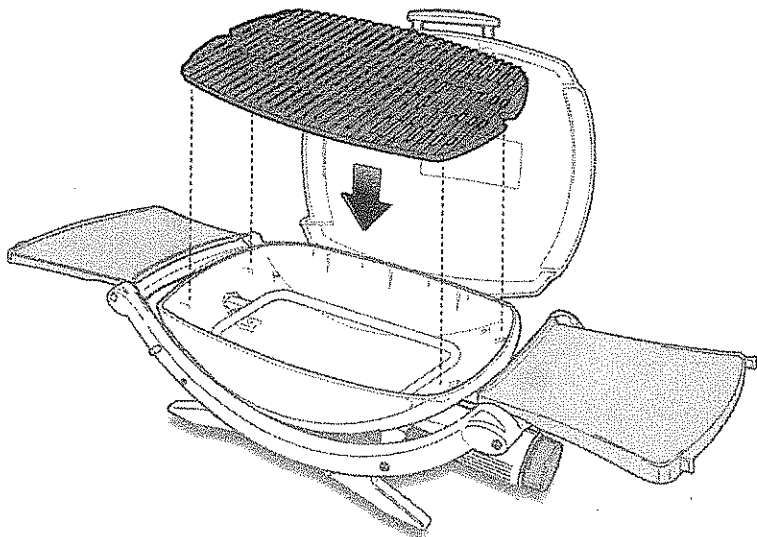


LATER STYLE:



REASSEMBLY NOTE: Make sure that the igniter electrode opening is flush (*touching*) with the burner tube for proper ignition spark (3).

⚠ WARNING: Make sure all control knobs are turned to the OFF position before reconnecting gas supply and operating grill. Your actions, if you fail to follow this product warning, may cause a fire, an explosion, or structural failure resulting in serious personal injury or death as well as damage to property.



⚠ **WARNING:** Make sure all parts are assembled and hardware is fully tightened before operating the grill. Your actions, if you fail to follow this product warning, may cause a fire, an explosion, or structural failure resulting in serious personal injury or death as well as damage to property.

⚠ **PROPOSITION 65 Warning:** Handling the brass material on this product exposes you to lead, a chemical known to the state of California to cause cancer, birth defects or other reproductive harm.

(Wash hands after handling this product.)

Visit



WEBER-STEPHEN PRODUCTS LLC
www.weber.com

For All of Your
Grilling Needs

⚠ ATTENTION: This product has been safety-tested and is only certified for use in a specific country. Refer to country designation located on outside of box.

These parts may be gas-carrying or gas-burning components. Please contact Weber-Stephen Products LLC Customer Service Department for genuine Weber-Stephen Products LLC replacement part(s) information.

⚠ WARNING: Do not attempt to make any repair to gas-carrying or gas-burning components without contacting Weber-Stephen Products LLC Customer Service Department. Your actions, if you fail to follow this product warning, may cause a fire or an explosion resulting in serious personal injury or death and damage to property.

AUSTRALIA

Weber-Stephen Products LLC
R. McDonald Co. PTY. LTD.
+61.8.8221.6111

AUSTRIA

Weber-Stephen Österreich GmbH
+43 7242 890 135 0
info-at@weberstephen.com

BELGIUM

Weber-Stephen Products Belgium Sprl
+32 015 28 30 90
infobelux@weberstephen.com

CHILE

Weber-Stephen Chile SpA.
+01 56 2-3224-3936

CZECH REPUBLIC

Weber-Stephen CZ & SK spol. s r.o.
+42 267 312 973
info-cz@weberstephen.com

DANMARK

Weber-Stephen Nordic ApS
+45 99 36 30 10
info@weberstephen.dk

DEUTSCHLAND

Weber-Stephen Deutschland GmbH
+49 6132 8999 0
info-de@weberstephen.com

FRANCE

Weber-Stephen France
+33 810 19 32 37
service.consommateurs@weberstephen.com

HUNGARY

Weber-Stephen Magyarország Kft.
+36 70 / 70-89-813
info-hu@weberstephen.com

ICELAND

Jarn & Gler Wholesale EHF
+354 58 58 900

INDIA

Weber-Stephen Barbecue Products India Pvt. Ltd.
080 42406666
customercare@weberindia.com

ISRAEL

D&S Imports
+972 392 41119
info@weber.co.il

ITALY

Weber-Stephen Products Italia Srl
+39 0444 360 590
info-italia@weberstephen.com

MEXICO

Weber-Stephen Products S.A. de C.V.
+01800-00-Weber (93237) Ext. 105

NETHERLANDS

Weber-Stephen Netherlands B.V.
+31 513 4333 22
info@weberbarbecues.nl

NEW ZEALAND

Weber New Zealand ULC
+64 9 570 6630

POLSKA

Weber-Stephen Polska Sp. z o.o.
+48 22 392 04 69
info-pl@weberstephen.com

RUSSIA

Weber-Stephen Vostok LTD.
+7 495 956 63 21
info.ru@weberstephen.com

SOUTH AFRICA

Weber-Stephen Products (South Africa) (Pty) Ltd.
+27 11 454 2369
info@weber.co.za

SPAIN

Weber-Stephen Iberica Srl
+34 93 584 40 55
infoiberica@weberstephen.com

SWITZERLAND

Weber-Stephen Schweiz GmbH
+41 52 24402 50
info-ch@weberstephen.com

TURKEY

Weber-Stephen Turkey
Ev ve Bahçe Matzemeteri Ticaret Ltd. Şti
+90 212 659 64 80

UNITED ARAB EMIRATES

Weber-Stephen Nordic Middle East
+971 4 360 9256
info@weberstephen.ae

UNITED KINGDOM

Weber-Stephen Products (UK) Ltd.
+44 (0)203 630 1500
customerserviceuk@weberstephen.com

USA

Weber-Stephen Products LLC
847 934 5700
support@weberstephen.com

For Republic of Ireland, please contact:
Weber-Stephen Products (U.K.) Limited.

For other eastern European countries, such as ROMANIA,
SLOVENIA, CROATIA, or GREECE, please contact:
Weber-Stephen Deutschland GmbH,
info-EE@weberstephen.com.

For Baltic states, please contact:
Weber-Stephen Nordic ApS.



WEBER-STEPHEN PRODUCTS LLC
www.weber.com

© 2016 Designed and engineered by Weber-Stephen Products LLC.
1415 S. Roselle Road, Palatine, Illinois 60067 USA.

WEBER-STEPHEN PRODUCTS LLC
Customer Service Center: 1415 S. Roselle Road, Palatine, Illinois 60067 USA

1-800-446-1071 (U.S.A. ONLY)